

Fill in the form below, complete sections **1** through **7** and fax to: **303-652-8552**

VERIS, inc. 6315 Monarch Park Place
Niwot, CO 80503 USA

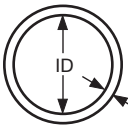
Phone: 303-652-8550
Fax: 303-652-8552

E-Mail: contact@veris-inc.com
Website: www.veris-inc.com

ISO 9001
Certified

Date: _____ Tag#: _____ E-mail: _____
 From: _____ Phone: _____ Fax: _____
 Company: _____ Address: _____ City, State, Zip: _____

1. Enter Pipe Dimensions



Pipe Size _____ Sch _____
 Pipe ID _____ Wall _____ Pipe Mat'l _____

2. Pipe Orientation (Check one box)



(H) Horizontal



(V) Vertical

3. Enter Flow Conditions

Fluid Name:		Maximum	Normal	Minimum	Units	Special Instructions
Flow Rate						
All Fluids	Pressure @ Flow					
	Temperature @ Flow					
Gas	Specific Gravity, or					
	Molecular Weight					
Liquid	Specific Gravity					
Steam	VeraCalc Program can calculate Density from Temperature and Pressure					

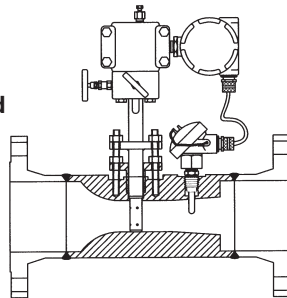
4. Select Model Accelabar 316SS (Check one box in each category)

AFS Flanged (ANSI):

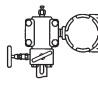
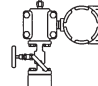
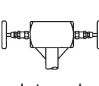
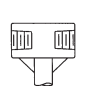
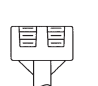
150# 300#
600# ABS Bevel for Weld

Specify Accelabar Meter Size:

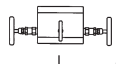

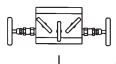

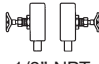

3" (75mm) 4" (100mm)
6" (150mm) 8" (200mm)
10" (250mm) 12" (300mm)



5. Select Instrument Head (Check one box)

Instrument Head Connections (Select Remote or Direct Mount Transmitter – Sold Separately)				
Direct Mount Transmitter (Flanged 450°F/232°C Max.)		Remote Mount Transmitter (1/2" NPT)		
Manifold	Transmount	Valve	Regular	Parallel
				
Integral		Integral		
M	F	T	R	P

6. Select Instrument Valves or Manifold, RTD & Cable (Optional)

Manifolds (Optional)				Instrument Valves (Optional)	
Direct Mount				Remote Mount	
3-Valve		5-Valve		Needle	Gate
					
Soft Seat	Hard Seat	Soft Seat	Hard Seat	1/2" NPT	1/2" NPT
F3SC (CS) F3SS (SS)	F3HC (CS) F3HS (SS)	F5SC (CS) F5SS (SS)	F5HC (CS) F5HS (SS)	C2NC (CS) C2NS (SS)	C2GC (CS) C2GS (SS)

Code	RTD in Thermowell
H1	Hazardous Location, Class 1 Div 1, Explosion Proof
H2	Hazardous Location, Class 1 Div 2, Non-Incendive Wiring
HT	High Temperature (500°F to 900°F, 260°C to 482°C)
NH	Non-Hazardous Location
Code	Connection Cable to Transmitter (Direct Mount Only)
XP	Explosion Proof (hazardous locations)
N4	NEMA 4

7. Transmitter

Supplied By	
Veris	Others